

SECTION **ACC**
ACCELERATOR CONTROL SYSTEM

A

ACC

C

D

E

CONTENTS

PRECAUTION	2	Exploded View	3	F
PRECAUTIONS	2	Removal and Installation	3	
Precaution for Supplemental Restraint System (SRS) "AIR BAG" and "SEAT BELT PRE-TENSIONER"	2	SERVICE DATA AND SPECIFICATIONS (SDS)	5	G
ON-VEHICLE REPAIR	3	SERVICE DATA AND SPECIFICATIONS (SDS)	5	H
ACCELERATOR CONTROL SYSTEM	3	Accelerator Control	5	I

H

I

J

K

L

M

N

O

P

PRECAUTIONS

< PRECAUTION >

PRECAUTION

PRECAUTIONS

Precaution for Supplemental Restraint System (SRS) "AIR BAG" and "SEAT BELT PRE-TENSIONER"

INFOID:000000005803203

The Supplemental Restraint System such as "AIR BAG" and "SEAT BELT PRE-TENSIONER", used along with a front seat belt, helps to reduce the risk or severity of injury to the driver and front passenger for certain types of collision. This system includes seat belt switch inputs and dual stage front air bag modules. The SRS system uses the seat belt switches to determine the front air bag deployment, and may only deploy one front air bag, depending on the severity of a collision and whether the front occupants are belted or unbelted. Information necessary to service the system safely is included in the SR and SB section of this Service Manual.

WARNING:

- To avoid rendering the SRS inoperative, which could increase the risk of personal injury or death in the event of a collision which would result in air bag inflation, all maintenance must be performed by an authorized NISSAN/INFINITI dealer.
- Improper maintenance, including incorrect removal and installation of the SRS, can lead to personal injury caused by unintentional activation of the system. For removal of Spiral Cable and Air Bag Module, see the SR section.
- Do not use electrical test equipment on any circuit related to the SRS unless instructed to in this Service Manual. SRS wiring harnesses can be identified by yellow and/or orange harnesses or harness connectors.

PRECAUTIONS WHEN USING POWER TOOLS (AIR OR ELECTRIC) AND HAMMERS

WARNING:

- When working near the Airbag Diagnosis Sensor Unit or other Airbag System sensors with the Ignition ON or engine running, DO NOT use air or electric power tools or strike near the sensor(s) with a hammer. Heavy vibration could activate the sensor(s) and deploy the air bag(s), possibly causing serious injury.
- When using air or electric power tools or hammers, always switch the Ignition OFF, disconnect the battery, and wait at least 3 minutes before performing any service.

ACCELERATOR CONTROL SYSTEM

< ON-VEHICLE REPAIR >

ON-VEHICLE REPAIR

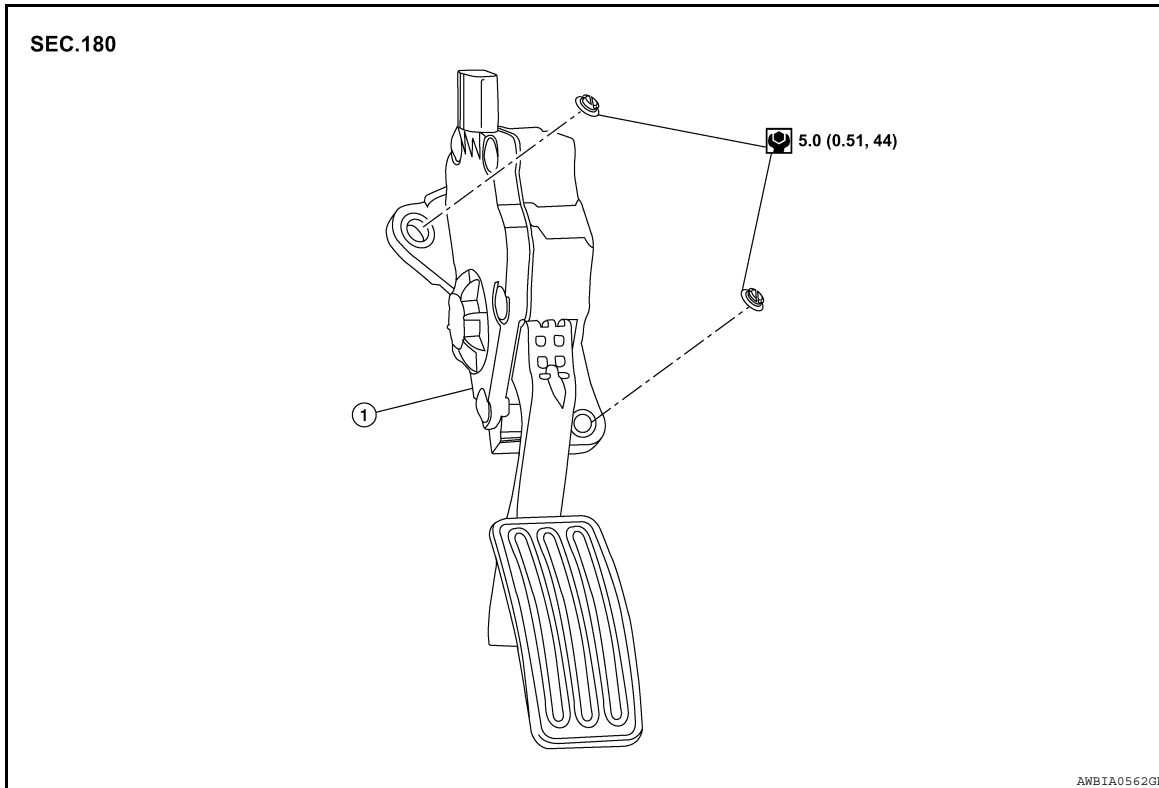
ACCELERATOR CONTROL SYSTEM

Exploded View

INFOID:000000005442044

A

ACC



C

D

E

F

G

H

I

J

1. Accelerator pedal assembly

K

Removal and Installation

INFOID:000000005442045

REMOVAL

1. Disconnect the 12-volt battery negative terminal.
2. Disconnect the accelerator position sensor electrical connector.
3. Remove the accelerator pedal nuts.
4. Remove the accelerator pedal assembly.
 - For electrical inspection of the accelerator pedal position sensor. Refer to [HBC-476, "Description"](#).

L

M

N

CAUTION:

- Do not disassemble the pedal assembly.
- Avoid impact from dropping during handling.
- Keep the pedal assembly away from water.

O

INSTALLATION

Installation is in the reverse order of removal.

- Check the accelerator pedal for smooth operation. There should be no binding or sticking when applying or releasing the accelerator pedal.

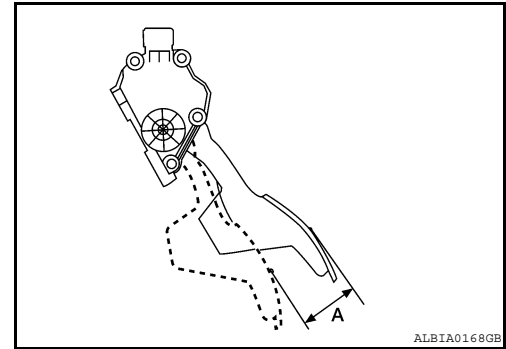
P

ACCELERATOR CONTROL SYSTEM

< ON-VEHICLE REPAIR >

- Check that the accelerator pedal moves through the full specified distance of pedal travel.

Pedal travel (A) : 51.1 mm (2.01 in)



CAUTION:

When the harness connector of the accelerator pedal position sensor is disconnected, perform the “Accelerator pedal released position learning”. Refer to [HBC-12, "ADDITIONAL SERVICE WHEN REPLACING CONTROL UNIT : Special Repair Requirement"](#).

SERVICE DATA AND SPECIFICATIONS (SDS)

< SERVICE DATA AND SPECIFICATIONS (SDS)

SERVICE DATA AND SPECIFICATIONS (SDS)

SERVICE DATA AND SPECIFICATIONS (SDS)

Accelerator Control

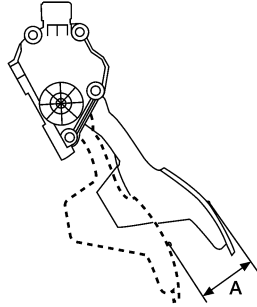
INFOID:000000005442046

A

ACC

PEDAL TRAVEL

C



D

E

F

ALBIA0168GB

Accelerator pedal - total travel (A)	51.1 mm (2.01 in)
--------------------------------------	-------------------

G

H

I

J

K

L

M

N

O

P